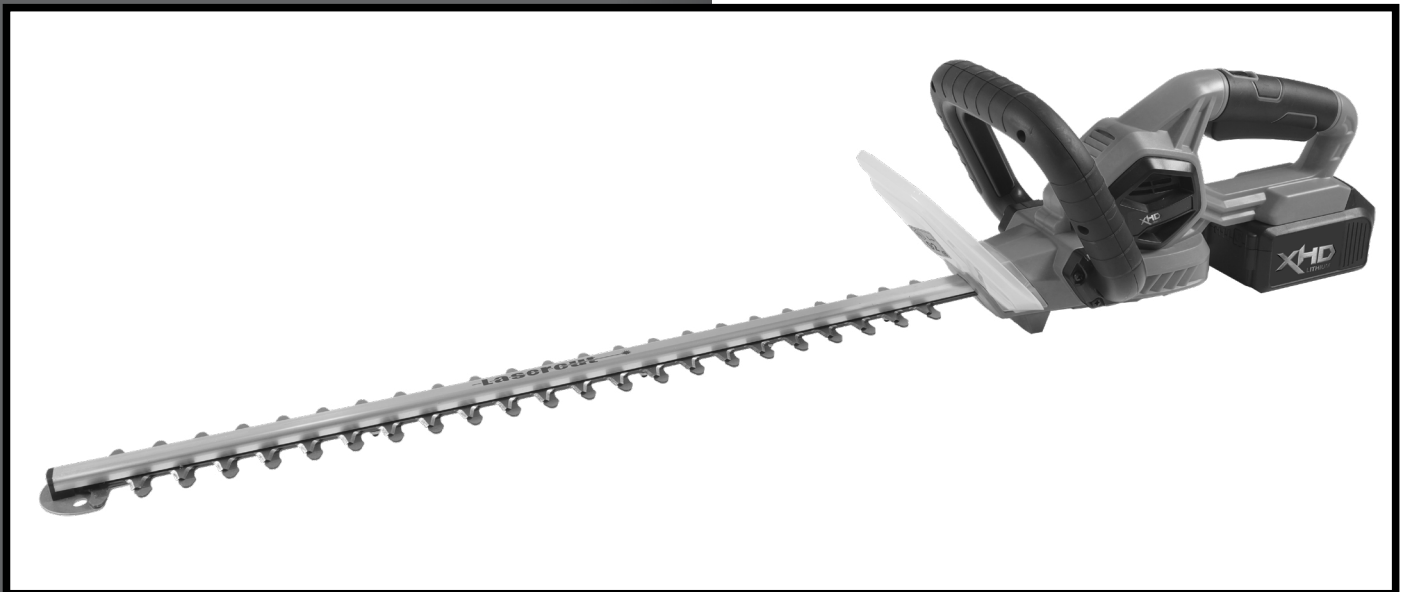


***XHD Lithium
Cordless Hedge
Trimmer 610mm
18V - Bare Tool***

TSC16

XHD
LITHIUM



OPERATORS MANUAL



TABLE OF CONTENTS

Specifications	3
Product Identification	3
Safety Guidelines	4
Assembly	8
Operation	11
Maintenance	12
Exploded Parts List	14

Note

This manual is for your reference only. Due to the continuous improvement of the XHD Lithium products, changes may be made at any time without obligation or notice.

Thank You

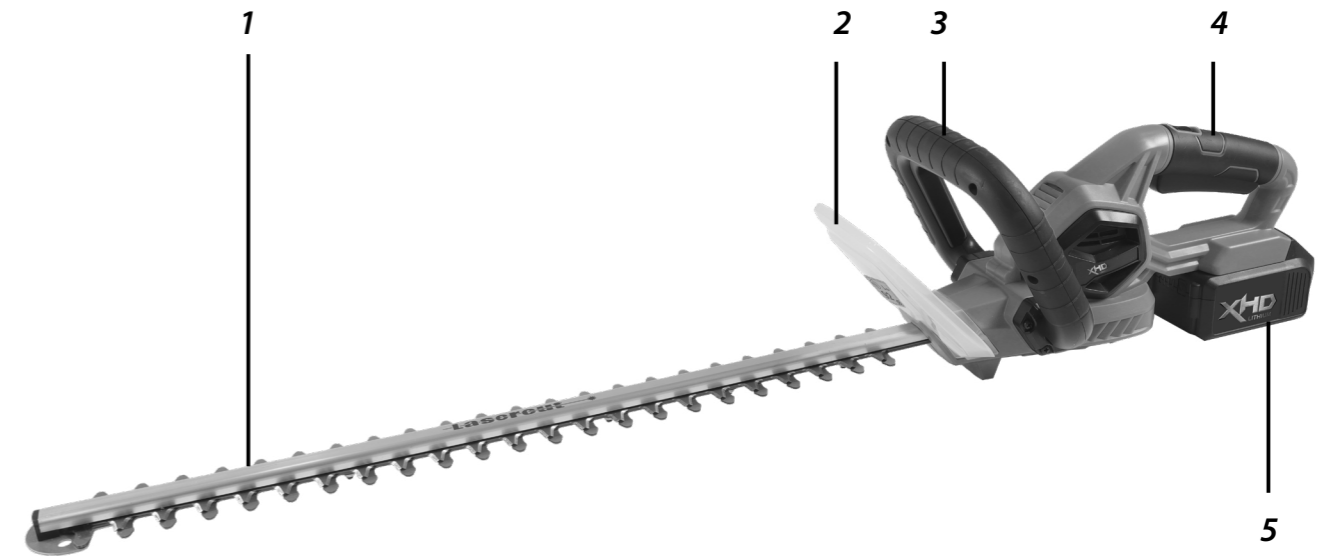
For the purchase of this XHD Lithium product. We try our hardest to supply customers like you with the best quality products available, at the best price possible. We cant wait to continue working together in the future.



SPECIFICATIONS

Stroke Length	610 mm
No Load Speed	1300 RPM
Maximum Cutting Length	15 mm
Rated Voltage	18 V D.C.
Net Weight	2.3 kg

PRODUCT IDENTIFICATION



- 1 610mm Double Cut Blades
- 2 Protective Front Cover
- 3 Large D-Handle
- 4 Insulated Rotatable Switch Handle
- 5 XHD Battery (Not Included)



SAFETY GUIDELINES

WARNING

READ ALL SAFETY WARNINGS & INSTRUCTIONS. Failure to follow instructions and warnings could lead to serious injury, electric shock, or fire.

Work Area Safety

- **Ensure that your work area is kept clean and well lit.** Lack of visibility and clutter greatly increase the risk of accident when using tools.
- **Keep bystanders, pets, and children clear when operating this power tool or machine.** They can cause distraction or risk injury to themselves.
- **Ensure you are not operating the power tool or machinery in the presence of dust, liquids, flammable gases, or anything that can create an explosive atmosphere.** Power tools and machinery can create sparks which can lead to ignition and fire hazards in working environments.

Personal Safety

- **Always wear personal protective equipment (PPE).** Eye protection, ear protection, dust masks, and other protective equipment will help to reduce the risk of personal injury or long-term illnesses.
- **Dress appropriately. DO NOT wear loose clothing that can get caught in moving parts.** Keep hair, loose clothing, jewellery, and anything else that could be of risk, away

from moving parts in the machine, or they could become caught therein.

- **Always remain alert and DO NOT operate power tools or machinery under the influence of any substances such as alcohol or drugs, including prescription medications.** Lack of focus could lead to injury or accidents while operating these power tools and machinery.
- **Always ensure proper footing and balance.** Overreaching can lead to slipping and falling which can result in injury or accident.
- **Ensure the power switch is in the OFF position before connecting any battery, or power source to the power tool or machinery.** This can cause injury as tools and machinery can suddenly fire incidentally when live, causing accidents.
- **Use all provided dust collection and extraction attachments, if included.** This equipment, along with the use of PPE dust masks, can help keep you safe from dust inhalation, and keep your work site clear from hazards.
- **Ensure loose parts such as wrenches or adjusting keys are removed before starting the power tool or machinery.**



SAFETY GUIDELINES

Power Tool & Machinery Use & Care

- **Use the correct tool for the job.** Forcing a tool to do a job it was not designed for increases the risk of accident or injury.
- **Disconnect tools and machinery from power, or remove batteries before doing any maintenance or adjustments, or before storing the tools and machinery.** This reduces or removes the risk of a power connection that causes the tool or machinery to accidentally fire, which can help prevent injury or accident.
- **Check the general condition of the power tool for damage or any problems that could affect the way the tool or machine works.** An unrepaired tool or machine can lead to accident and injury. Only have your tool or machine repaired with genuine parts from your local distributor
- **Only use the power tool and machinery with genuine parts or accessories that are designed to be used with this power tool and machinery.** Failure to do so could result in accident or injury, or damage your tool or machinery.
- **Store your tool or machinery out of reach of children, and away from untrained personnel when not in use.** Use by somebody untrained, or a child, could lead to accident or serious injury.

Service

- **Have your tools and machinery serviced by your local distributor with genuine XHD Lithium replacement parts.** This will ensure that the safety of the power tool or machine is maintained.

WARNING

The warnings and precautions discussed in this manual cannot cover all possible conditions and situations that may occur. It must be understood by the operator that common sense and caution are factors which cannot be built into this product, but must be supplied by the operator.

Always Use Common Sense

- It is not possible to cover every conceivable situation you can face. Always exercise care and use your common sense. If you get into a situation where you feel unsafe, stop and seek expert advice. Contact your dealer, service agent, or an experienced user. Do not attempt any task you feel unsure of!
- **Do not let familiarity gained from the frequent use of tools allow you to become complacent and ignore tool safety principles.** A careless action can cause severe injury within a fraction of a second.



SAFETY GUIDELINES

Battery Tool Use & Care

- Prevent unintentional starting. Ensure the switch is in the OFF position before connecting to the battery pack, picking up, or carrying the machine. Carrying the machine with your finger on the switch or energising a machine that has the switch ON invites accidents.
- Disconnect the battery pack from the machine before making any adjustments, changing accessories, or storing the machine. Such preventive safety measures reduce the risk of starting the machine accidentally.
- Recharge the battery only with the charger specified by the manufacturer. A charger that is suitable for one type of battery pack may create a risk of fire when used with another battery pack.
- Use machines only with specifically designated battery packs. Use of any other battery packs may create a risk of injury and fire.
- When the battery pack is not in use, keep it away from other metal objects, like paper clips, coins, keys, nails, screws, or small metal objects, that can make a connection from one terminal to another. Shorting the battery terminals together may cause burns or a fire.
- Under abusive conditions, liquid may be ejected from the battery; avoid contact. If contact accidentally occurs, flush the area with water. If liquid contacts eyes, seek medical help. Liquid ejected from the battery may be acidic and may cause irritation or burns.
- Do not use a battery pack or machine that is damaged or modified. Damaged or modi-

fied batteries may exhibit unpredictable behaviour resulting in fire, explosion, or risk of injury.

- Do not expose a battery pack or machine to fire or excessive temperature. Exposure to fire or temperature above 130°C may cause explosion.
- Follow all charging instructions and do not charge the battery pack or machine outside of the temperature range specified in the instructions.
- Charging the battery improperly, or at temperatures outside of the specified range may damage the battery and increase the risk of fire.
- Have servicing performed by a local XHD distributor repair person using only identical replacement parts. This will ensure that the safety of the product is maintained.
- Do not modify or attempt to repair the machine or the battery pack except as indicated in the instructions for use and care.

Battery Long Life Tips

- Charge the battery cartridge before it is completely discharged. Always stop tool operation and charge the battery cartridge when you notice less tool power.
- Never recharge a fully charged battery cartridge. Overcharging shortens the battery service life.
- Charge the battery cartridge with room temperature at 10°C – 40°C. Allow a hot battery cartridge to cool before charging it.
- Charge the battery cartridge once in every six months if you do not use it for extended periods at a time.



SAFETY GUIDELINES

Hedge Trimmer Specific Safety

- Keep all parts of the body away from the cutter blade. Do not remove cut material or hold material to be cut when blades are moving. Blades coast after turn off. A moment of inattention while operating the hedge trimmer may result in serious personal injury.
- Carry the hedge trimmer by the handle with the cutter blade stopped. Proper handling of the hedge trimmer will reduce possible personal injury from the cutter blades.
- Hold the power tool by insulated gripping surfaces only, because the cutter blade may contact hidden wiring. Cutter blades contacting a “live” wire may make exposed metal parts of the power tool “live” and could give the operator an electric shock.
- Keep hands away from blade. Contact with blade will result in serious personal injury.
- Do not use the hedge trimmer in the rain or in wet or very damp conditions. The electric motor is not waterproof.
- The hedge trimmer must not be used by children or young persons under 18 years of age. Young persons over 16 years of age may be exempted from this restriction if they are undergoing training under supervision.
- Never use the trimmer when under the influence of alcohol, drugs, or medication.
- Leather work gloves are essential PPE of the hedge trimmer and must always be worn when working with it. Also wear sturdy shoes with anti-skid soles.
- Before starting work check to make sure that the trimmer is in good and safe working order. Ensure guards are fitted properly.

- Make sure you have secure footing before starting operation.
- Hold the tool firmly by both handles when using the tool.
- Do not operate tool at no-load unnecessarily.
- Immediately switch off the motor and remove the battery cartridge if the cutter should come into contact with a fence or other hard object. Check the cutter for damage, and if damaged repair immediately.
- Before checking the cutter, taking care of faults, or removing material caught in the cutter, always switch off the trimmer and remove the battery cartridge.
- Clean the hedge trimmer and especially the cutter after use, and before putting the trimmer into storage for extended periods. Lightly oil the cutter and put on the cover. The cover supplied with the unit can be hung on the wall, providing a safe and practical way to store the hedge trimmer.
- Never point the shear blades at yourself or others.
- If the blades stop moving due to foreign objects stuck between the blades during operation, switch off the tool and remove the battery cartridge, and then remove the foreign objects using tools such as pliers. Removing the foreign objects by hand may cause an injury due to the reason that the blades may move in reaction to removing the foreign objects.
- Avoid a dangerous environment. Don't use the tool in damp or wet locations or expose it to rain. Water entering the tool will increase the risk of electric shock.

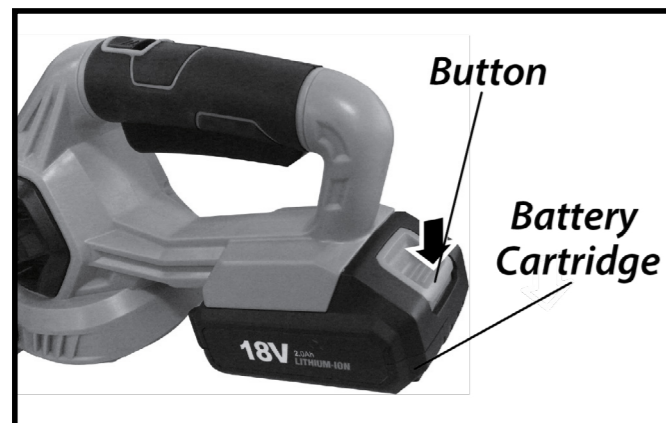
ASSEMBLY

WARNING

Always be sure that the tool is switched off and the battery cartridge is removed before adjusting or checking the tool.

Installing or Removing the Battery

- To remove the battery cartridge, slide it from the tool while depressing the button on the front of the cartridge.
- To install the battery cartridge, align the tongue on the battery cartridge with the groove in the housing and slip it into place. Insert it all the way until it locks in place with a little click. If you can see the red indicator on the upper side of the button, that means it is not locked completely.



CAUTION

Do not install the battery cartridge forcibly. If the cartridge does not slide in easily, it is not being inserted correctly.

Indicating the Remaining Battery Capacity

- Press the check button on the battery cartridge to indicate the remaining battery capacity. The indicator will light up for few seconds.

NOTE: Depending on the conditions of use and the ambient temperature, the indication may differ slightly from the actual capacity.



INDICATOR LAMPS				REMAINING CAPACITY
LIGHTED	OFF	BLINKING		
■	□	▬		75% to 100%
■	■	□	□	50% to 75%
■	■	□	□	25% to 50%
■	□	□	□	0% to 25%
▬	□	□	□	Charge the Battery.
■	■	□	□	The Battery may have Malfunctioned
□	□	■	■	

ASSEMBLY

Tool/Battery Protection System

- The tool is equipped with a tool/battery protection system. This system automatically cuts off power to the motor to extend tool and battery life. The tool will automatically stop during operation if the tool or battery is placed under one of the following conditions:

Overload Protection

- When the tool/battery is operated in a manner that causes it to draw an abnormally high current, the tool automatically stops without any indication. In this situation, turn the tool off and stop the application that caused the tool to become overloaded. Then turn the tool on to restart.

Overheat Protection

- When the tool/battery is overheated, the tool stops automatically. In this situation, let the tool/battery cool before turning the tool on again.

Over Discharge Protection

- When the battery capacity is not enough, the tool stops automatically. In this case, remove the battery from the tool and charge the battery.

CAUTION

Before installing the battery cartridge into the tool, always check to see that the switch trigger actuates properly and returns to the "OFF" position when released.

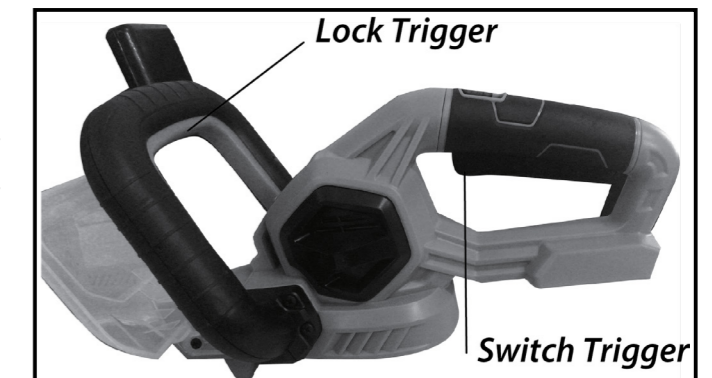
Angle Setting of the Handle

CAUTION

Always make sure that the handle is locked in the desired position before operation.

Do not pull down the lever to unlock the handle while pulling the switch trigger. Do not pull the switch trigger while pulling down the lever and turning the handle.

- You can set the angle of the handle to 0°, -90°, or 90° to the left or right. To change the angle of the handle, turn the handle while pulling back the lock button, and then release the lock button.



ASSEMBLY

Power Switch Action

WARNING

For your safety, this tool is equipped with a lock-off lever which prevents the tool from unintended starting. NEVER use the tool if it runs when you simply press the switch lever and pull the switch trigger without pressing the lock-off lever. Return the tool to an authorised XHD service centre for proper repairs BEFORE further usage. NEVER tape down or defeat the purpose and function of the lock-off lever.

- Before installing the battery cartridge on the tool, always check to see that the switch trigger and switch lever actuate properly and return to the "OFF" position when released.
- Operating a tool with a switch that does not actuate properly can lead to loss of control and serious personal injury.

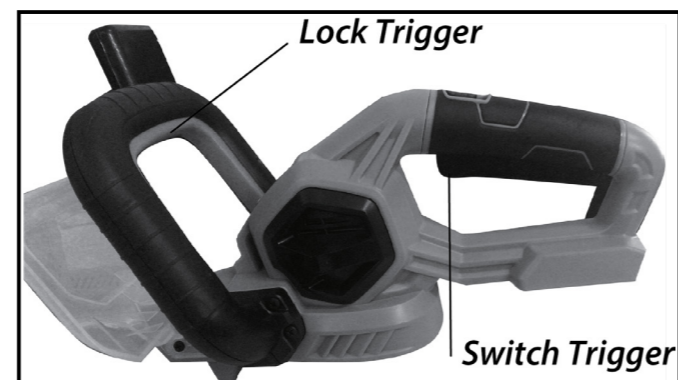
CAUTION

Never put your finger on the switch when carrying. The tool may start unintentionally and cause injury.

NOTICE: Do not pull the switch trigger hard without pressing the lock-off lever. This can cause switch breakage.

NOTE: The tool is automatically turned off if the tool is not operated for a certain period.

- To prevent the switch trigger from being accidentally pulled, a lock-off lever is provided. To start the tool, depress the lock-off lever, and then press the switch lever and pull the switch trigger. The tool speed increases by increasing pressure on the switch trigger. Release the switch trigger to stop.



Electric Brake

- This tool is equipped with an electric brake. If the tool consistently fails to quickly stop after the switch trigger is released, have the tool serviced at your nearest XHD authorised dealer.

Installing or Removing the Shear Blades

CAUTION

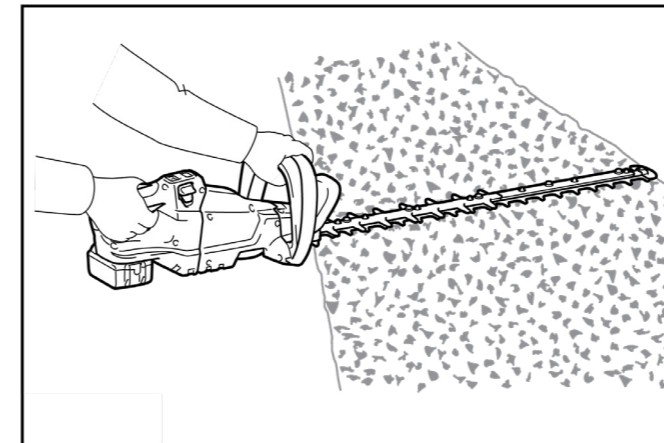
Attach the blade cover before removing or installing the shear blades.

Be careful not to accidentally contact a metal fence or other hard objects while trimming. The shear blades may break and cause an injury.

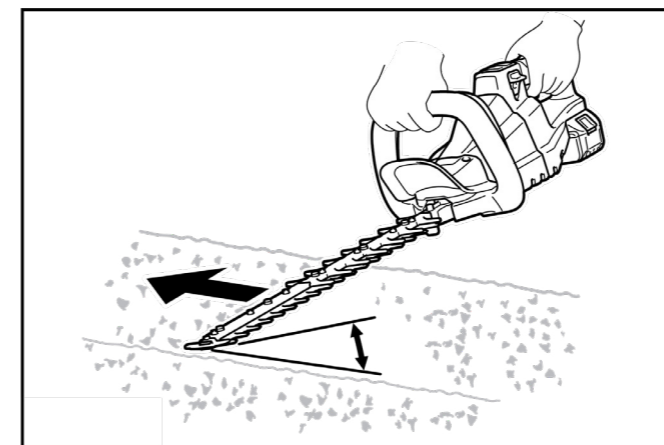
OPERATION

Operating the Tool

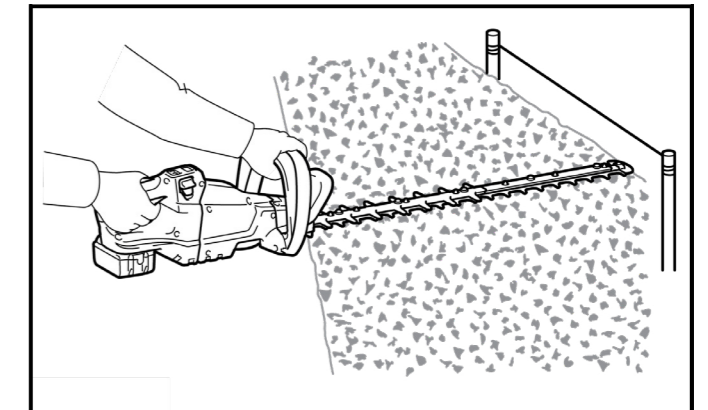
- Hold the tool with both hands, press the switch lever and pull the switch trigger while pressing the lock-off lever, and then move it forward.



- For basic operation, tilt the shear blades toward the trimming direction and move it calmly and slowly at the speed rate of 3 to 4 seconds per metre.



- To cut a hedge top evenly, tie a string at the desired height and trim along it.



CAUTION

Be careful not to allow the shear blades to contact the ground. The tool may recoil and cause an injury.

Overreaching with a hedge trimmer, particularly from a ladder, is extremely dangerous. Do not work while standing on anything wobbly or infirm.

NOTICE

Do not attempt to cut branches thicker than 15mm in diameter with the tool.

Do not cut down dead trees or similar hard objects. Doing so may damage the tool.

Do not trim the grass or weeds while using the shear blades. The shear blades may become tangled in the grass or weeds.

MAINTENANCE

WARNING

Always be sure that the tool is switched off and the battery removed before attempting to perform any inspection or maintenance.

- Before cleaning or performing any maintenance, you must ensure the tool is switched off and disconnected from the power supply.
- Clean the tool by wiping off dust with a dry cloth or one dipped in soapy water and wrung out.
- Ventilation openings and switch levers must be kept clean. DO NOT attempt to clean by inserting pointed objects through openings.
- Do not use harsh chemicals or solvents when cleaning this tool.
- If you discover any damaged or broken parts, consult an authorised XHD distributor for replacements and advise.

Battery Disposal

- Batteries and electronics should not be disposed of in household garbage. Please return your old batteries to your local distributor for safe and environmentally friendly disposal.
- Together, we can care for the environment.

Storage

- Store the hedge trimmer with the cover on, in a dry room. Keep it out of reach of children.
- Never store the trimmer outdoors.

Transport

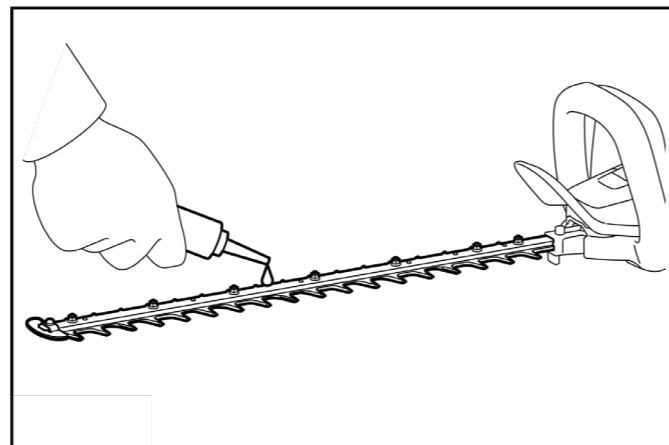
- When moving the hedge trimmer to another location, always remove the battery cartridge and put the blade cover on the cutter blades. Never carry or transport the trimmer with the cutter running. Never grasp the cutter with your hands.

Environment & Disposal

- Packaging materials are raw materials and can be re-used. Separate the different packaging materials and take them to the appropriate waste disposal facility. More information can be obtained from your local authorities.
- Old machines do not belong in your household garbage! Dispose of old machines appropriately, we are all responsible for the environment.

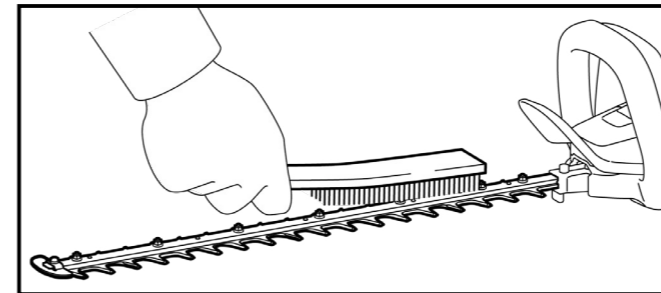
Shear Blade Maintenance

- Prior to operation or once per hour during operation, apply low-viscosity oil (machine oil, or spray-type lubricating oil) to the shear blades.



MAINTENANCE

- After operation, remove dust from both sides of the shear blades with a wired brush, wipe it off with a cloth and then apply low-viscosity oil to the shear blades.

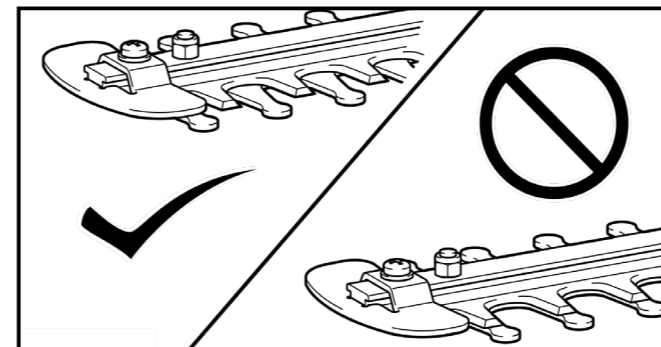


NOTE: Do not wash the shear blades in water. This may cause rust or damage to the tool.
NOTE: Dirt and corrosion cause excessive blade friction and shorten the operating time per battery charge.

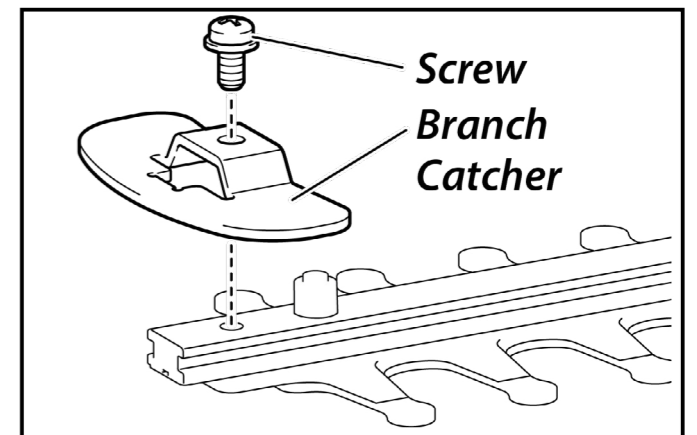
Grinding the Shear Blades

NOTICE: If the shear blades have considerably deformed by grinding, replace the shear blades with new ones.

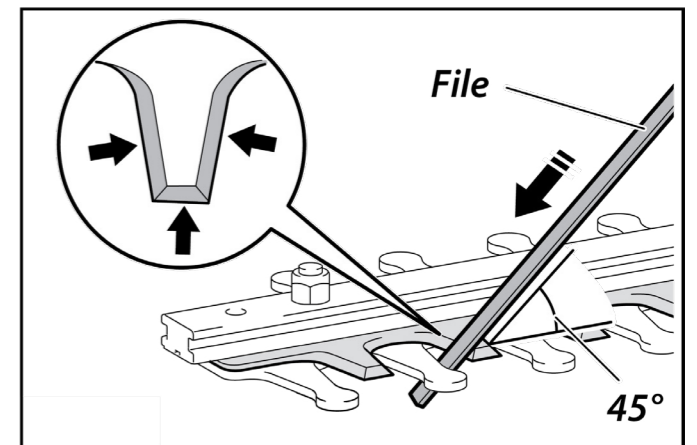
- Install the battery cartridge to the tool.
- Turn on and start the tool so that the upper blade and lower blade are positioned alternately.



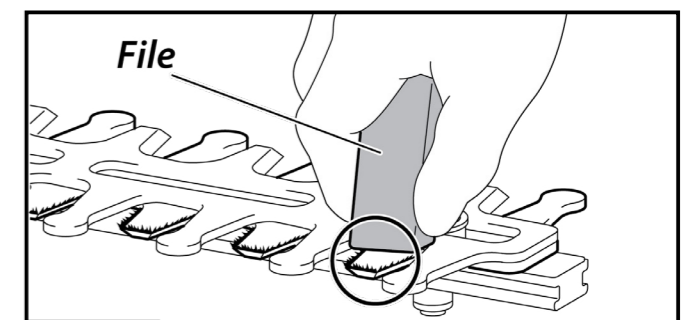
- Turn off the tool and remove the battery cartridge from the tool.
- Remove the screw, and then remove the branch catcher.



- Set the angle of a file to 45°, and grind the upper blade from 3 directions with the file.

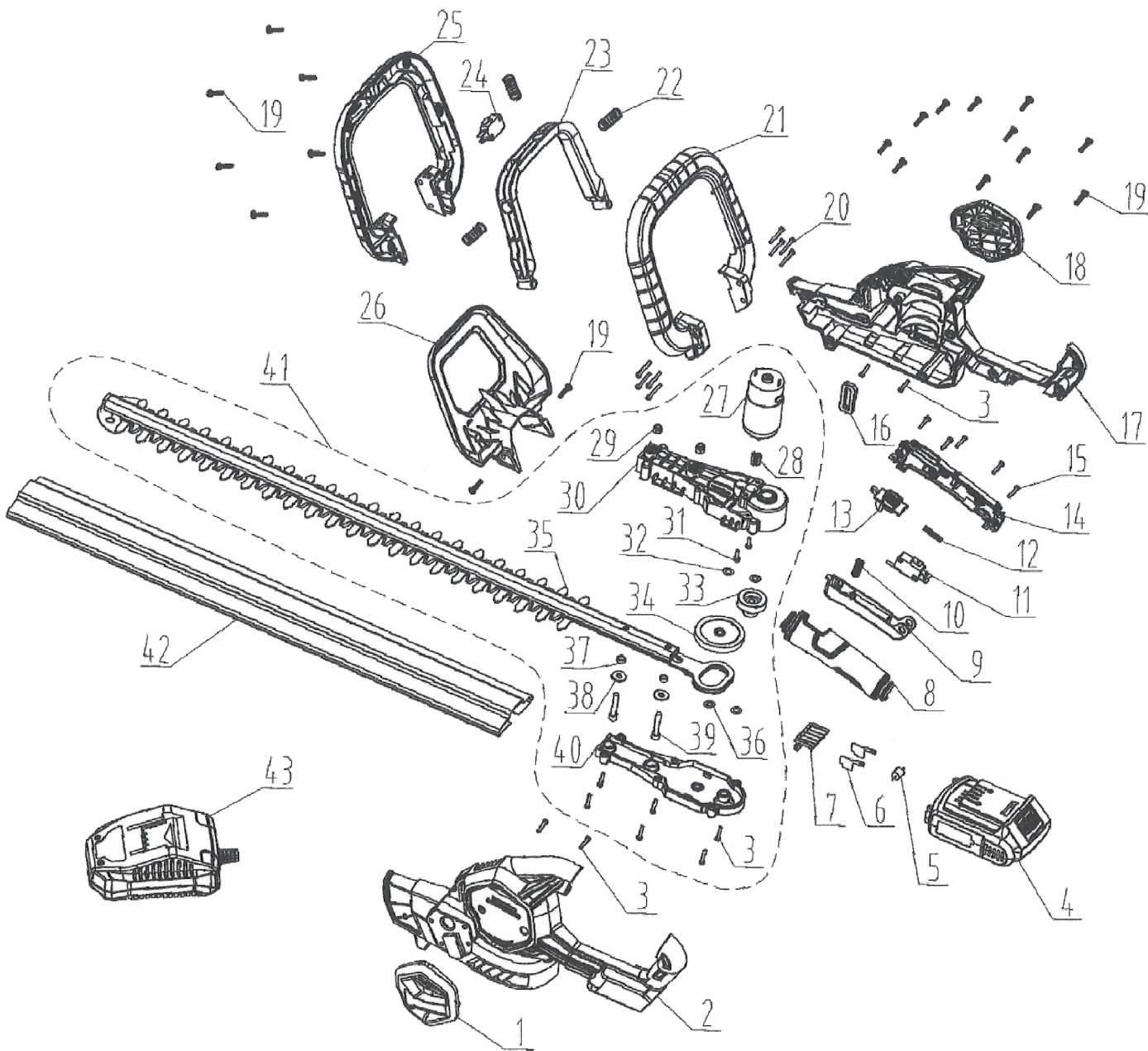


- Place the tool upside down, and then remove the burrs from the shear blades with the file.



- Set the angle of the file to 45°, and grind the lower blade from 3 directions with the file.
- Return the tool to normal position, removing the burrs from the shear blades with the file.
- Attach the branch catcher by tightening the screw.

EXPLODED PARTS LIST



1	Left Decoration Cover	12	Rotate Button Spring	23	Aux Handle Switch	33	Gear
2	Left Housing	13	Rotate Button	24	Switch	34	Big Gear
3	Screw	14	Right Rotate Handle	25	Aux Upper Handle	35	Trimmer Blade Assy
4	Battery Pack	15	Screw	26	Transparent Cover	36	Gasket
5	Diode	16	Square Inductor	27	Motor	37	Long Tube
6	Pole	17	Right Housing	28	Motor Gear	38	Gasket
7	Pole Seat	18	Right Decoration Cover	29	Nut	39	Screw
8	Left Rotate Handle	19	Screw	30	Speed Box Base	40	Speed Box Cover
9	Switch Trigger	20	Screw	31	Screw	41	Gear Box Blade Assy
10	Switch Button Spring	21	Aux Lower Handle	32	Small Gasket	42	Blade Sleeve
11	Switch	22	Handle Button Spring	33	Gear	43	Charger